



260 Arsenal Place #2
PO Box 9151
Watertown, MA 02472-4026
617.924.1770

OVERALL TREE SCHEDULE

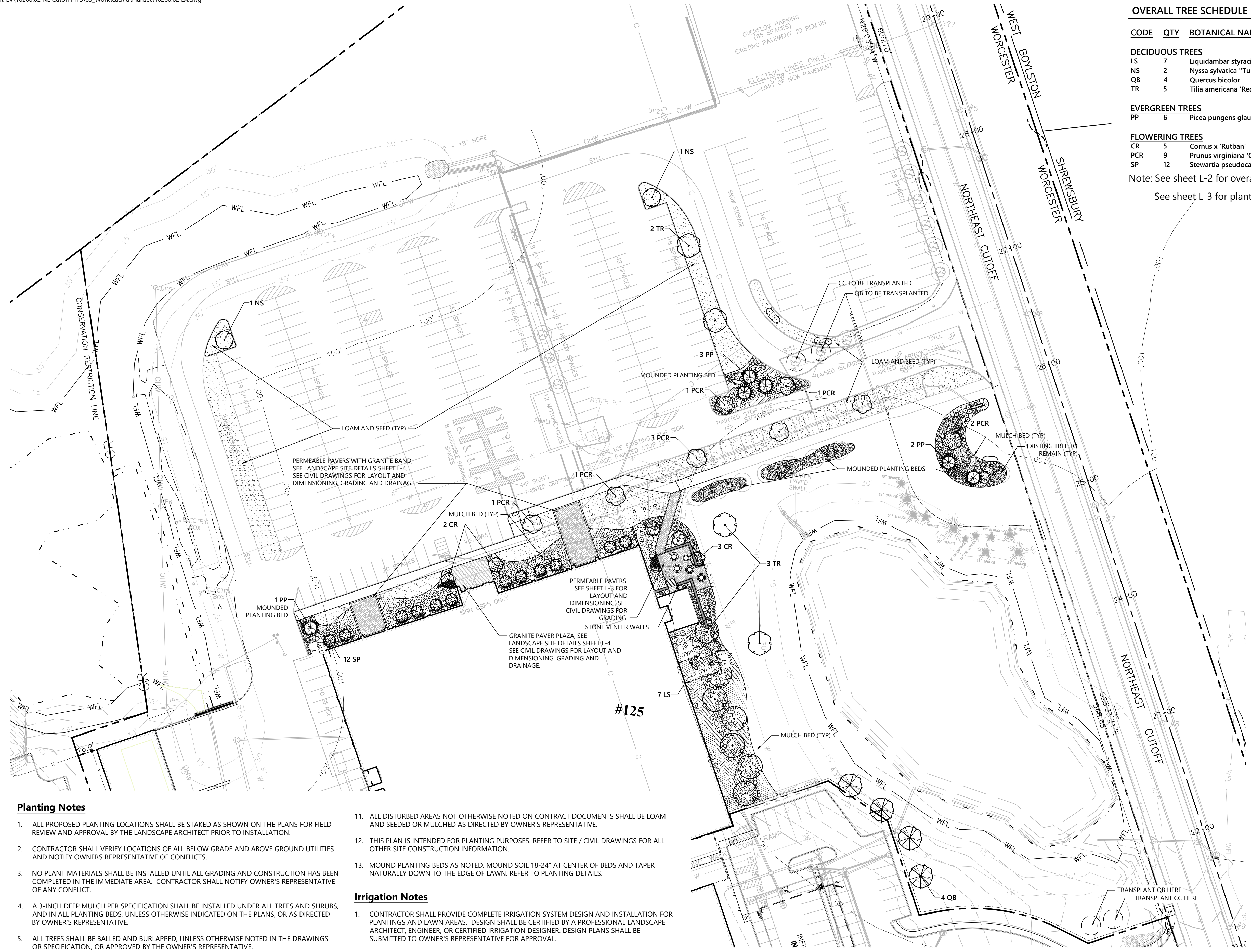
CODE	QTY	BOTANICAL NAME	COMMON NAME	SIZE
DECIDUOUS TREES				
LS	7	Liquidambar styraciflua	Sweetgum	2 1/2 - 3" CAL.
NS	2	Nyssa sylvatica "Tupelo Tower"	Tupelo Tower Sweetgum	2 1/2 - 3" CAL.
QB	4	Quercus bicolor	Swamp White Oak	2 1/2 - 3" CAL.
TR	5	Tilia americana 'Redmond'	Redmond American Linden	2 1/2 - 3" CAL.

EVERGREEN TREES				
PP	6	Picea pungens glauca	Blue Spruce	9 - 10' HT.

FLOWERING TREES				
CR	5	Cornus x 'Rutban'	Aurora Flowering Dogwood	2 1/2 - 3" CAL.
PCR	9	Prunus virginiana 'Canada Red'	Canada Red Chokecherry	2 1/2 - 3" CAL.
SP	12	Stewartia pseudocamellia	Japanese Stewartia	2 1/2 - 3" CAL.

Note: See sheet L-2 for overall shrub and perennial plant schedule.

See sheet L-3 for plant schedule within the 100' Wetland Buffer Zone.



Planting Notes

- ALL PROPOSED PLANTING LOCATIONS SHALL BE STAKED AS SHOWN ON THE PLANS FOR FIELD REVIEW AND APPROVAL BY THE LANDSCAPE ARCHITECT PRIOR TO INSTALLATION.
- CONTRACTOR SHALL VERIFY LOCATIONS OF ALL BELOW GRADE AND ABOVE GROUND UTILITIES AND NOTIFY OWNERS REPRESENTATIVE OF CONFLICTS.
- NO PLANT MATERIALS SHALL BE INSTALLED UNTIL ALL GRADING AND CONSTRUCTION HAS BEEN COMPLETED IN THE IMMEDIATE AREA. CONTRACTOR SHALL NOTIFY OWNER'S REPRESENTATIVE OF ANY CONFLICT.
- A 3-INCH DEEP MULCH PER SPECIFICATION SHALL BE INSTALLED UNDER ALL TREES AND SHRUBS, AND IN ALL PLANTING BEDS, UNLESS OTHERWISE INDICATED ON THE PLANS, OR AS DIRECTED BY OWNER'S REPRESENTATIVE.
- ALL TREES SHALL BE BALLED AND BURLAPPED, UNLESS OTHERWISE NOTED IN THE DRAWINGS OR SPECIFICATION, OR APPROVED BY THE OWNER'S REPRESENTATIVE.
- FINAL QUANTITY FOR EACH PLANT TYPE SHALL BE AS GRAPHICALLY SHOWN ON THE PLAN. THIS NUMBER SHALL TAKE PRECEDENCE IN CASE OF ANY DISCREPANCY BETWEEN QUANTITIES SHOWN ON THE PLANT LIST AND ON THE PLAN. THE CONTRACTOR SHALL REPORT ANY DISCREPANCIES BETWEEN THE NUMBER OF PLANTS SHOWN ON THE PLANT LIST AND PLANT LABELS PRIOR TO BIDDING.
- ANY PROPOSED PLANT SUBSTITUTIONS MUST BE REVIEWED BY LANDSCAPE ARCHITECT AND APPROVED IN WRITING BY THE OWNER'S REPRESENTATIVE.
- ALL PLANT MATERIALS INSTALLED SHALL MEET THE SPECIFICATIONS OF THE "AMERICAN STANDARDS FOR NURSERY STOCK" BY THE AMERICAN ASSOCIATION OF NURSERYMEN AND CONTRACT DOCUMENTS.
- ALL PLANT MATERIALS SHALL BE GUARANTEED FOR ONE YEAR FOLLOWING DATE OF FINAL ACCEPTANCE.
- AREAS DESIGNATED "LOAM & SEED" SHALL RECEIVE MINIMUM 6" OF LOAM AND SPECIFIED SEED MIX. LAWNS OVER 2:1 SLOPE SHALL BE PROTECTED WITH EROSION CONTROL FABRIC.

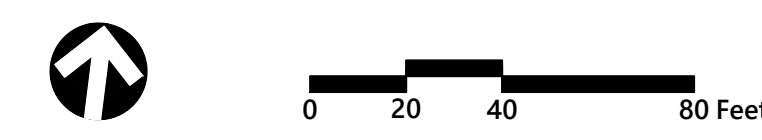
- ALL DISTURBED AREAS NOT OTHERWISE NOTED ON CONTRACT DOCUMENTS SHALL BE LOAM AND SEEDED OR MULCHED AS DIRECTED BY OWNER'S REPRESENTATIVE.
- THIS PLAN IS INTENDED FOR PLANTING PURPOSES. REFER TO SITE / CIVIL DRAWINGS FOR ALL OTHER SITE CONSTRUCTION INFORMATION.
- MOUND PLANTING BEDS AS NOTED. MOUND SOIL 18-24" AT CENTER OF BEDS AND TAPER NATURALLY DOWN TO THE EDGE OF LAWN. REFER TO PLANTING DETAILS.

Irrigation Notes

- CONTRACTOR SHALL PROVIDE COMPLETE IRRIGATION SYSTEM DESIGN AND INSTALLATION FOR PLANTINGS AND LAWN AREAS. DESIGN SHALL BE CERTIFIED BY A PROFESSIONAL LANDSCAPE ARCHITECT, ENGINEER, OR CERTIFIED IRRIGATION DESIGNER. DESIGN PLANS SHALL BE SUBMITTED TO OWNER'S REPRESENTATIVE FOR APPROVAL.
- CONTRACTOR SHALL PROVIDE ALL MATERIALS, LABOR, AND EQUIPMENT FOR THE COMPLETE INSTALLATION OF THE IRRIGATION SYSTEM.
- CONTRACTOR SHALL PROVIDE DRAWINGS, MATERIAL SPECIFICATIONS, SCHEMATICS, AND OTHER LITERATURE AS MAY BE REQUIRED, FOR ALL CONDUIT, CONTROLS/TIMERS, VALVES, SPRINKLER HEADS, CONNECTORS, WIRING, RAIN GAUGE, ETC. TO THE OWNER'S CONSTRUCTION MANAGER FOR APPROVAL PRIOR TO INSTALLATION.
- CONTRACTOR SHALL COORDINATE HIS WORK WITH THE GENERAL CONTRACTOR AND SUB CONTRACTORS.
- BACKFLOW PREVENTER AND METER IS REQUIRED. IT SHALL BE IN CONFORMANCE WITH STATE AND MUNICIPAL REQUIREMENTS.
- IRRIGATION CONTROL PANEL, BACKFLOW PREVENTER AND METER SHALL BE LOCATED IN THE BUILDING MECHANICAL ROOM. COORDINATE WITH THE GENERAL CONTRACTOR.
- SITE CONTRACTOR SHALL PROVIDE 4" SCHEDULE 40 PVC SLEEVES UNDER PAVEMENT TO PROVIDE ACCESS FOR IRRIGATION LINES TO ALL IRRIGATION AREAS. SEE CIVIL DRAWINGS FOR SLEEVE LOCATIONS.

Plant Note

- ALL TREE AND STUMP REMOVAL SHALL BE IN ACCORDANCE WITH THE ASIAN LONGHORNED BEETLE PROGRAM REQUIREMENTS. ALL NEW TREES AND SHRUB PLANTINGS SHALL BE ASIAN LONGHORNED BEETLE AND EMERALD ASH BORER RESISTANT.

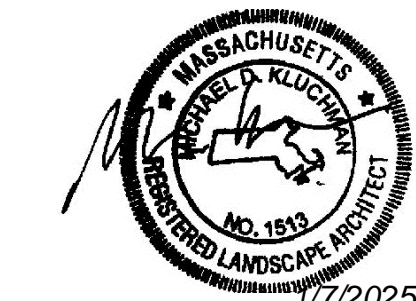


125 Northeast Cutoff
125 Northeast Cutoff
Worcester, MA

No.	Revision	Date	App'd

Designed by _____ Checked by _____
Issued for _____ Date _____
Local Approvals Jan. 15, 2025

Not for Construction
Drawing Title
Tree Planting Plan
Drawing Number

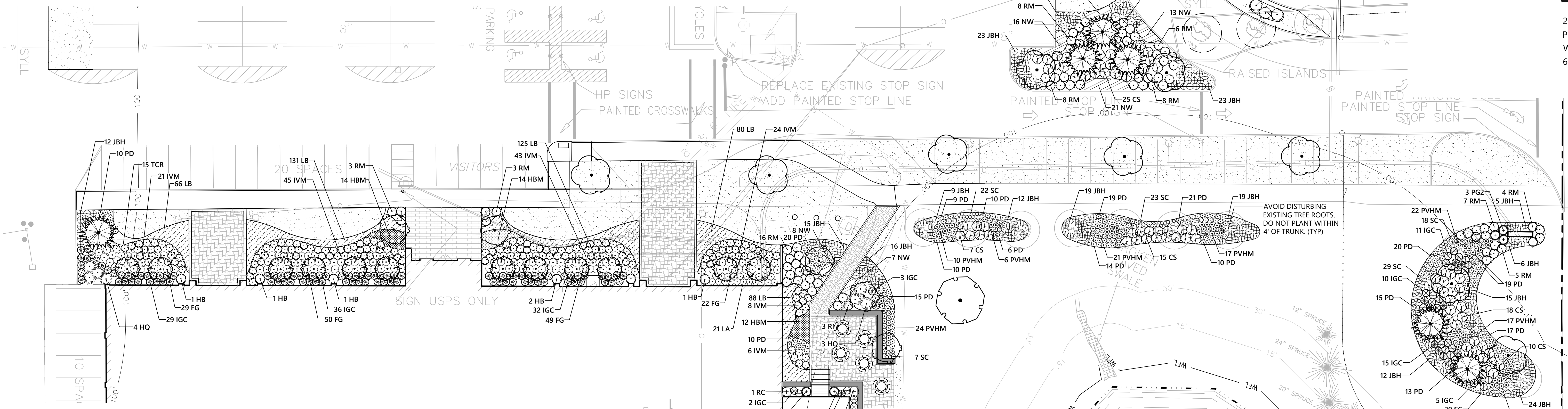


L-1

Sheet 1 of 4



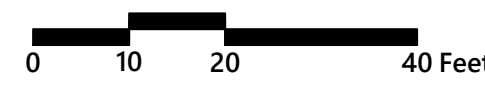
260 Arsenal Place #2
PO Box 9151
Watertown, MA 02472-4026
617.924.1770



OVERALL SHRUB AND PERENNIAL PLANT SCHEDULE

SYMBOL	CODE	QTY	BOTANICAL NAME	COMMON NAME	SIZE	SPACING
SHRUBS						
	CS	152	Cornus sericea 'Arctic Fire'	Arctic Fire Red Twig Dogwood	2 - 3' HT.	48" o.c.
	FG	150	Fothergilla gardenii 'Blue Mist'	Blue Mist Dwarf Fothergilla	2 - 3' HT.	36" o.c.
	HB	6	Hydrangea macrophylla 'Bailday'	Light-O-Day® Lacecap Hydrangea	18 - 24" HT.	48" o.c.
	HG	6	Hydrangea paniculata 'Grandiflora'	PeeGee Panicle Hydrangea	48" HT.	60" o.c.
	HQ	7	Hydrangea quercifolia 'Alice'	Alice Oakleaf Hydrangea	2 - 3' HT.	60" o.c.
	IGC	157	Ilex glabra 'Compacta'	Compact Inkberry	3 - 4' HT.	36" o.c.
	IVR	57	Ilex verticillata 'Red Sprite'	Red Sprite Winterberry	2 - 3' HT.	36" o.c.
	IVM	223	Itea virginica 'Merlot'	Merlot Virginia Sweetspire	18 - 24" HT.	36" o.c.
	JBH	262	Juniperus horizontalis 'Bar Harbor'	Bar Harbor Creeping Juniper	18 - 24" SPD	30" o.c.
	LA	21	Leucothoe axillaris	Coastal Leucothoe	18 - 24" HT.	30" o.c.
	PG2	5	Picea pungens 'Glauba Globosa'	Blue Globe Spruce	36" HT.	48" o.c.
	RC	33	Rhododendron x 'Cunningham's Blush'	Cunningham's Blush Rhododendron	2 1/2 - 3' HT.	48" o.c.
	RP	25	Rhododendron x 'PJM'	PJM Rhododendron	2 1/2 - 3' HT.	42" o.c.
	RM	78	Rosa x Meidiland White	White Meidiland Rose	18 - 24" SPD	48" o.c.
GROUND COVER						
	PD	250	Penstemon digitalis 'Husker Red'	Husker Red Beard Tongue	#1 POT	24" o.c.
GRASSES						
	PVHM	167	Panicum virgatum 'Heavy Metal'	Heavy Metal Switch Grass	#2 POT	24" o.c.
	SC	119	Schizachyrium scoparium	Little Bluestem	#1 POT	15" o.c.
GROUND COVERS						
	DP	121	Dennstaedtia punctilobula	Hay-scented Fern	#1 POT	24" o.c.
	HPP	464	Heuchera x 'Plum Pudding'	Plum Pudding Coral Bells	#1 POT	12" o.c.
	HBM	40	Hosta x 'Blue Mammoth'	Blue Mammoth Hosta	#2 POT	30" o.c.
	LB	490	Liriope muscari 'Big Blue'	Big Blue Lilyturf	#1 POT	18" o.c.
	NW	77	Nepeta x faassenii 'Walkers Low'	Walkers Low Catmint	#1 POT	24" o.c.
	PAC	994	Polystichum acrostichoides	Christmas Fern	#1 POT	12" o.c.
	TCR	348	Tiarella cordifolia 'Eco Running Tapestry'	Eco Running Tapestry Foamflower	#1 POT	18" o.c.

#125



125 Northeast Cutoff 125 Northeast Cutoff Worcester, MA

No.	Revision	Date	App'd

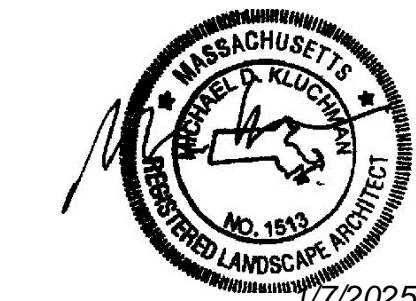
Designed by: _____ Checked by: _____

Issued for: _____ Date: _____

Local Approvals Jan. 15, 2025

Not for Construction

Planting Enlargement Plan



L-2

Sheet **2** of **4**

Note: See sheet L-1 for overall tree schedule.
See sheet L-3 for plants within the 100' Wetland Buffer

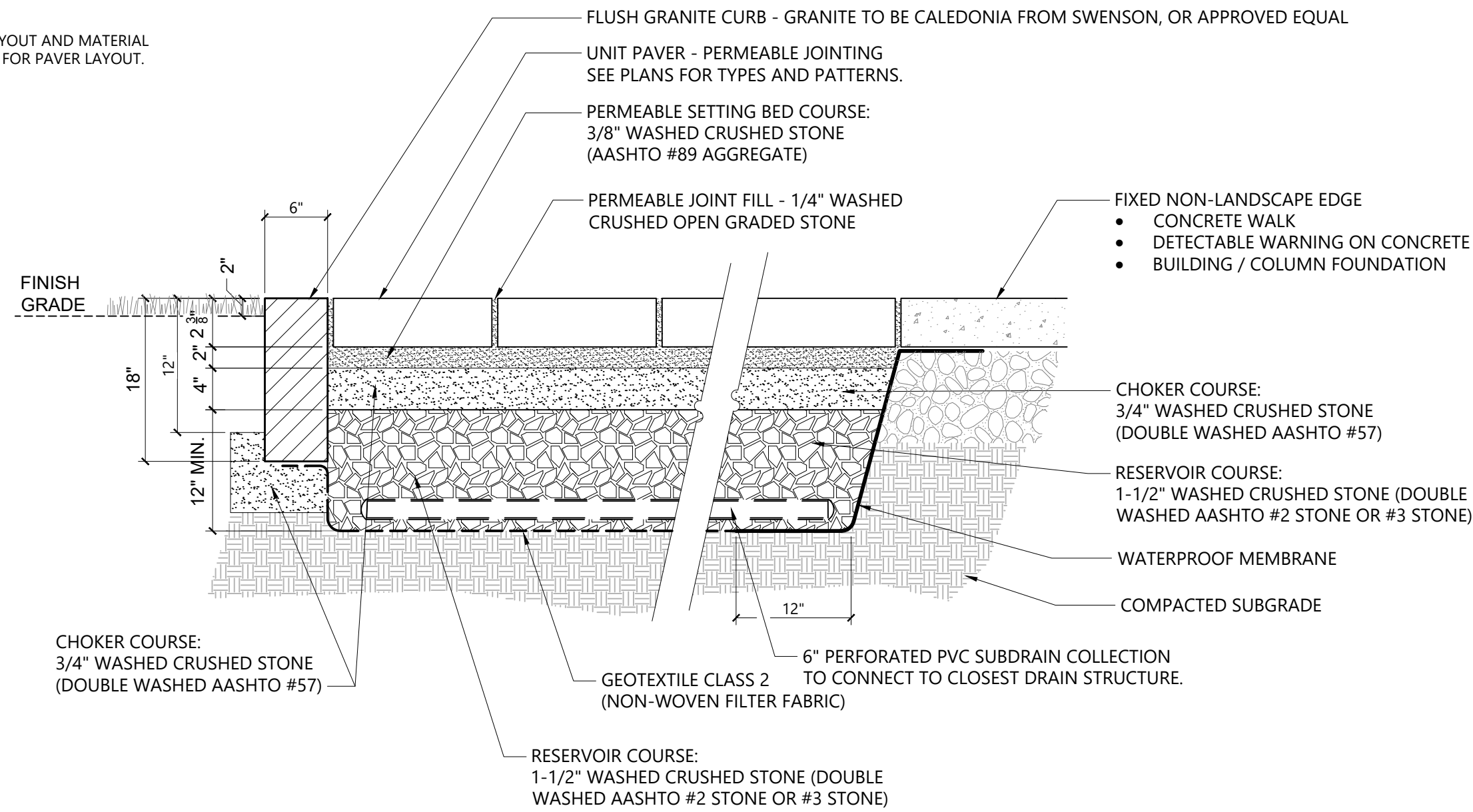
100' WETLAND BUFFER PLANT SCHEDULE

SYMBOL	CODE	QTY	BOTANICAL NAME	COMMON NAME	SIZE	
DECIDUOUS TREES						
	LS	7	Liquidambar styraciflua	Sweetgum	2 1/2 - 3" CAL.	
	NS	1	Nyssa sylvatica "Tupelo Tower"	Tupelo Tower Sweetgum	2 1/2 - 3" CAL.	
	QB	4	Quercus bicolor	Swamp White Oak	2 1/2 - 3" CAL.	
	TR	3	Tilia americana 'Redmond'	Redmond American Linden	2 1/2 - 3" CAL.	
EVERGREEN TREES						
	PP	3	Picea pungens glauca	Blue Spruce	9 - 10' HT.	
FLOWERING TREES						
	CR	2	Cornus x 'Rutban'	Aurora Flowering Dogwood	2 1/2 - 3" CAL.	
	PCR	4	Prunus virginiana 'Canada Red'	Canada Red Chokecherry	2 1/2 - 3" CAL.	
SYMBOL	CODE	QTY	BOTANICAL NAME	COMMON NAME	SIZE	SPACING
SHRUBS						
	CS	127	Cornus sericea 'Arctic Fire'	Arctic Fire Red Twig Dogwood	2 - 3' HT.	48" o.c.
	FG	12	Fothergilla gardenii 'Blue Mist'	Blue Mist Dwarf Fothergilla	2 - 3' HT.	36" o.c.
	HQ	7	Hydrangea quercifolia 'Alice'	Alice Oakleaf Hydrangea	2 - 3' HT.	60" o.c.
	IGC	73	Ilex glabra 'Compacta'	Compact Inkberry	3 - 4' HT.	36" o.c.
	IVR	57	Ilex verticillata 'Red Sprite'	Red Sprite Winterberry	2 - 3' HT.	36" o.c.
	IVM	79	Itea virginica 'Merlot'	Merlot Virginia Sweetpire	18 - 24" HT.	36" o.c.
	JBH	160	Juniperus horizontalis 'Bar Harbor'	Bar Harbor Creeping Juniper	18 - 24" SPD	30" o.c.
	PG2	1	Picea pungens 'Glauca Globosa'	Blue Globe Spruce	36" HT.	48" o.c.
	RC	26	Rhododendron x 'Cunningham's Blush'	Cunningham's Blush Rhododendron	2 1/2 - 3' HT.	48" o.c.
	RP	25	Rhododendron x 'PJM'	PJM Rhododendron	2 1/2 - 3' HT.	42" o.c.
GROUND COVER						
	PD	219	Penstemon digitalis 'Husker Red'	Husker Red Beard Tongue	#1 POT	24" o.c.
GRASSES						
	PVHM	151	Panicum virgatum 'Heavy Metal'	Heavy Metal Switch Grass	#2 POT	24" o.c.
	SC	119	Schizachyrium scoparium	Little Bluestem	#1 POT	15" o.c.
GROUND COVERS						
	DP	121	Denstaedia punctilobula	Hay-scented Fern	#1 POT	24" o.c.
	HPP	464	Heuchera x 'Plum Pudding'	Plum Pudding Coral Bells	#1 POT	12" o.c.
	PAC	994	Polystichum acrostichoides	Christmas Fern	#1 POT	12" o.c.
	TCR	348	Tiarella cordifolia 'Eco Running Tapestry'	Eco Running Tapestry Foamflower	#1 POT	18" o.c.

Note: See sheet L-1 and L-2 for overall plant schedules

NOTE

1. SEE LAYOUT AND MATERIAL PLANS FOR PAVEMENT LAYOUT.



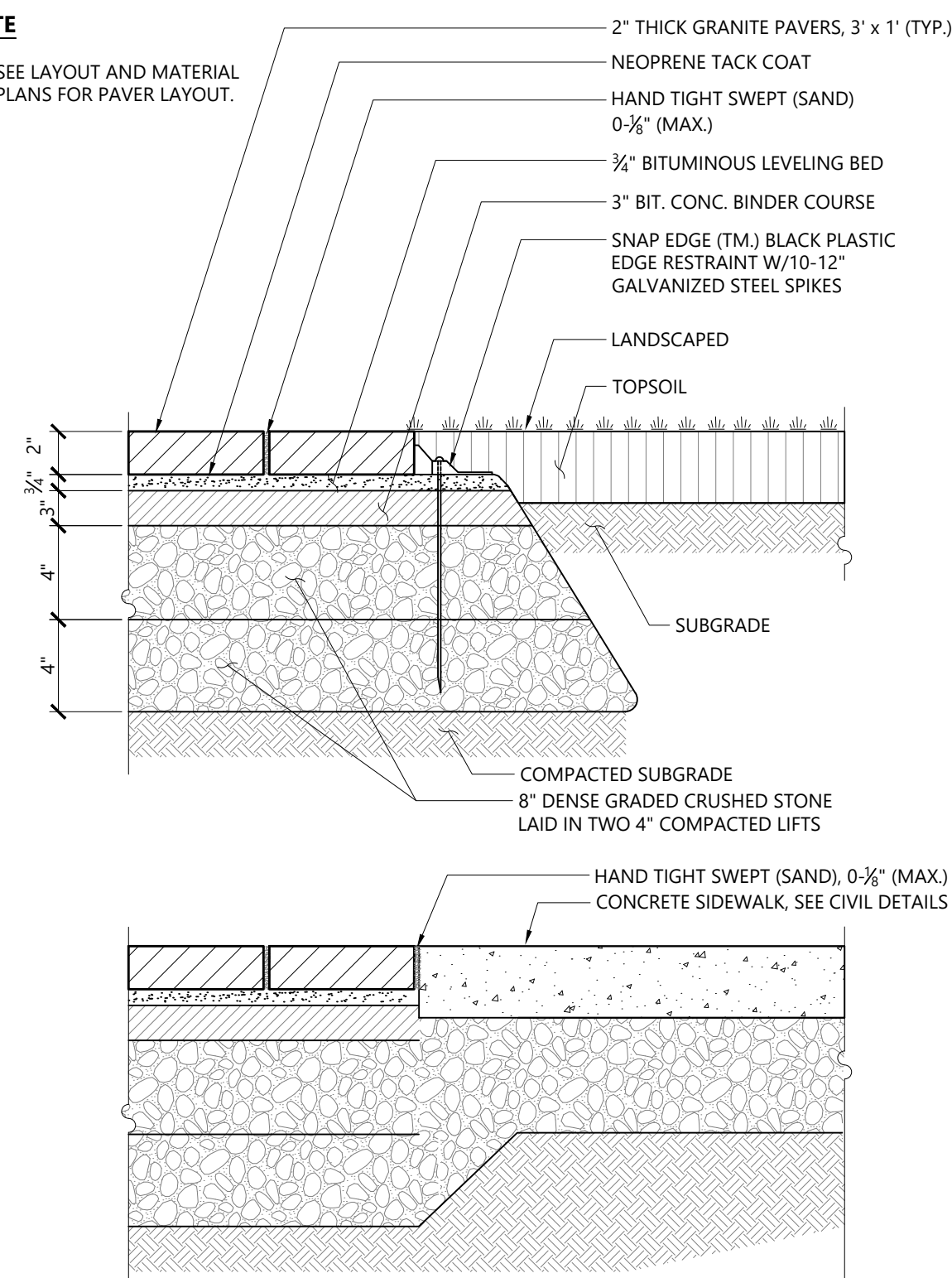
Permeable Pavers

N.T.S.

Source: VHB

NOTE

1. SEE LAYOUT AND MATERIAL PLANS FOR PAVEMENT LAYOUT.



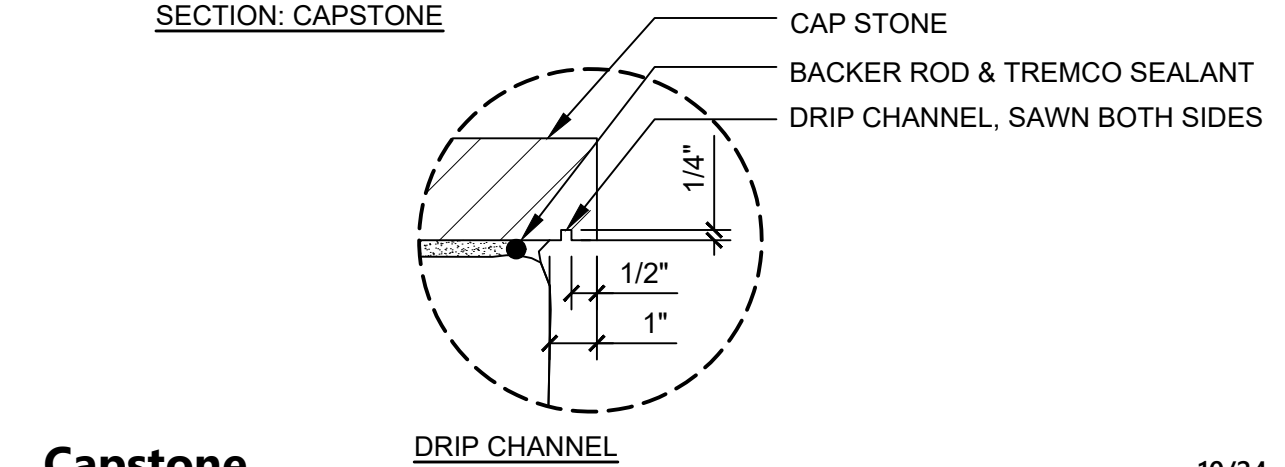
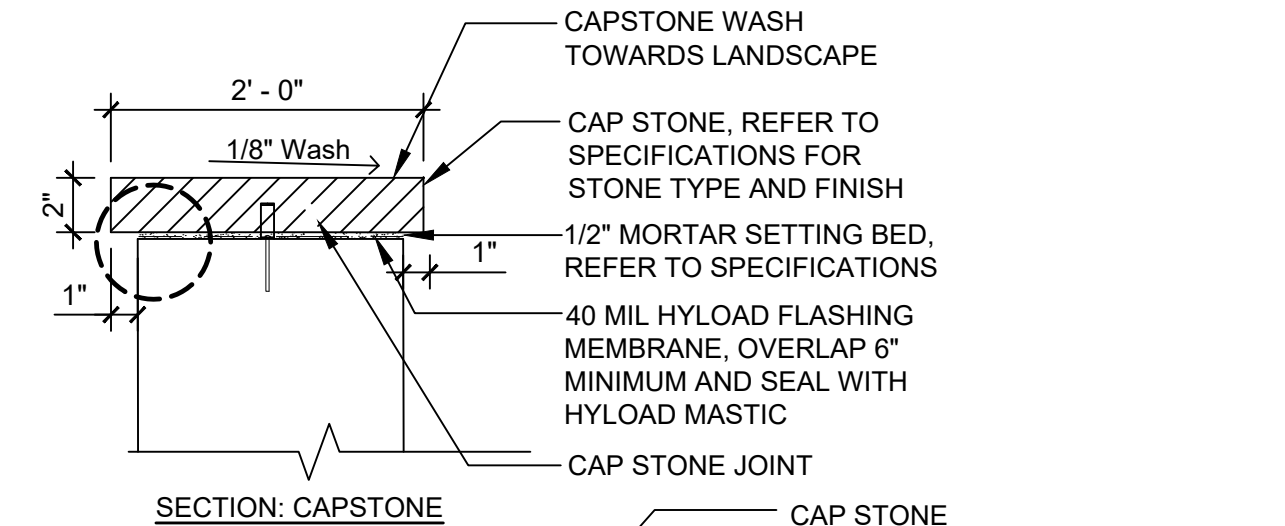
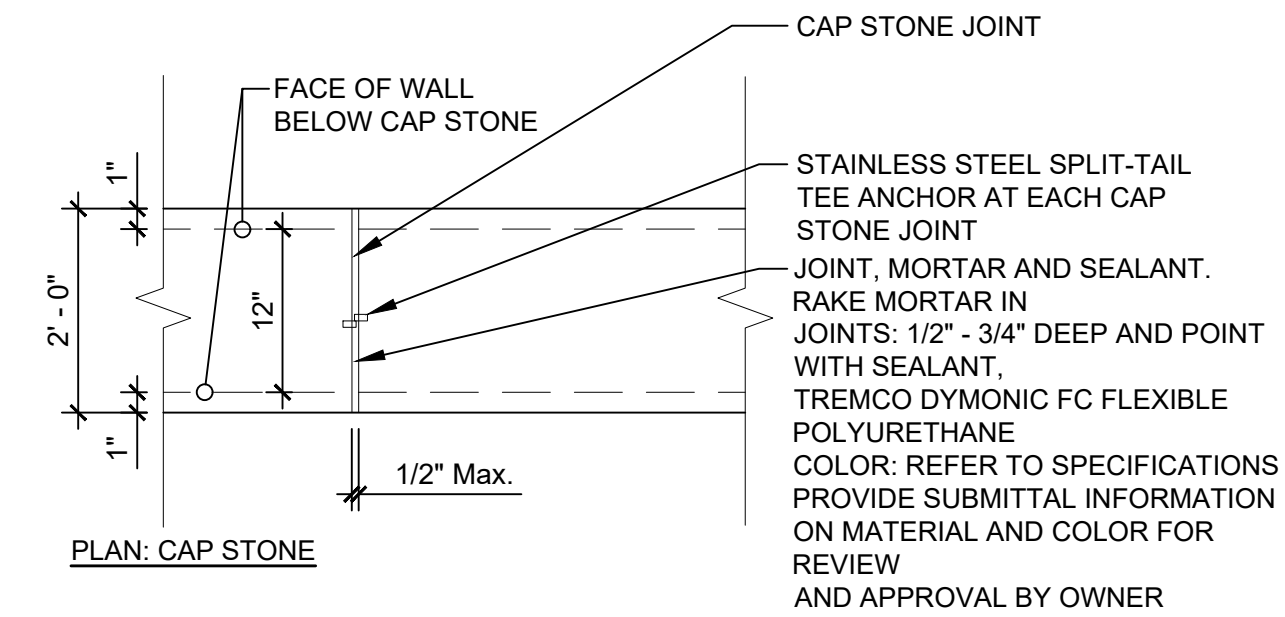
Granite Paver Plaza

N.T.S.

Source: VHB

REV

1/16 LD_830-A



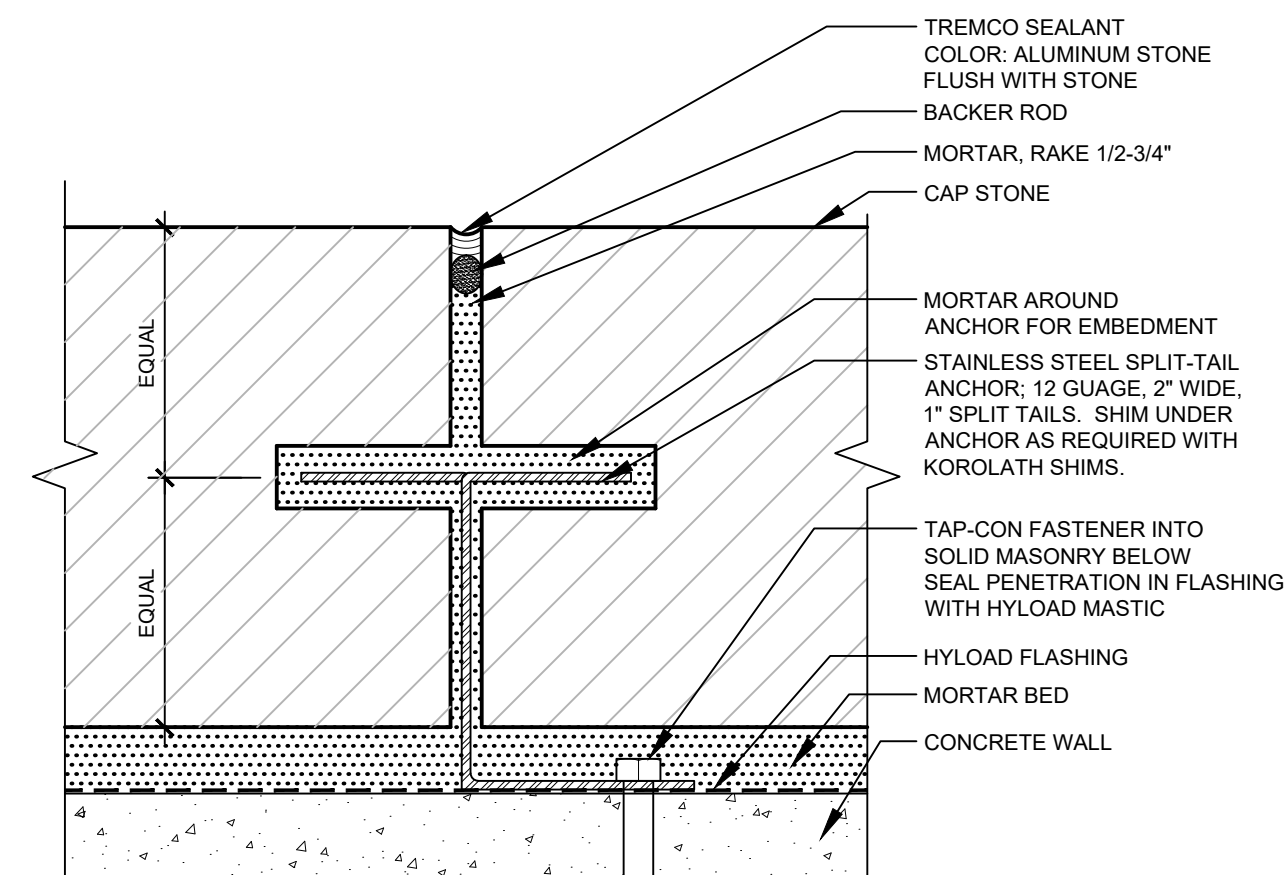
Capstone

N.T.S.

Source: VHB

10/24

LD_



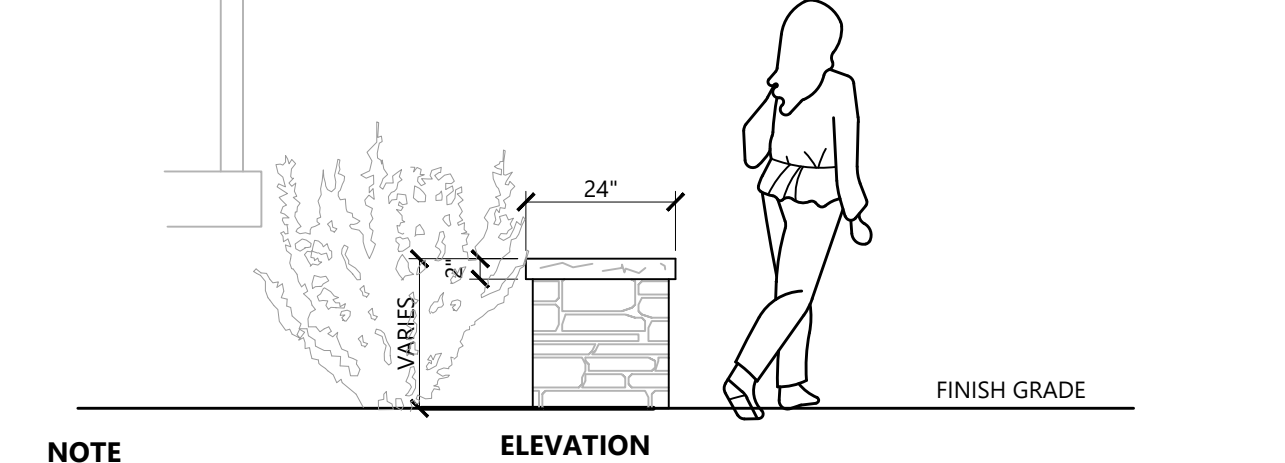
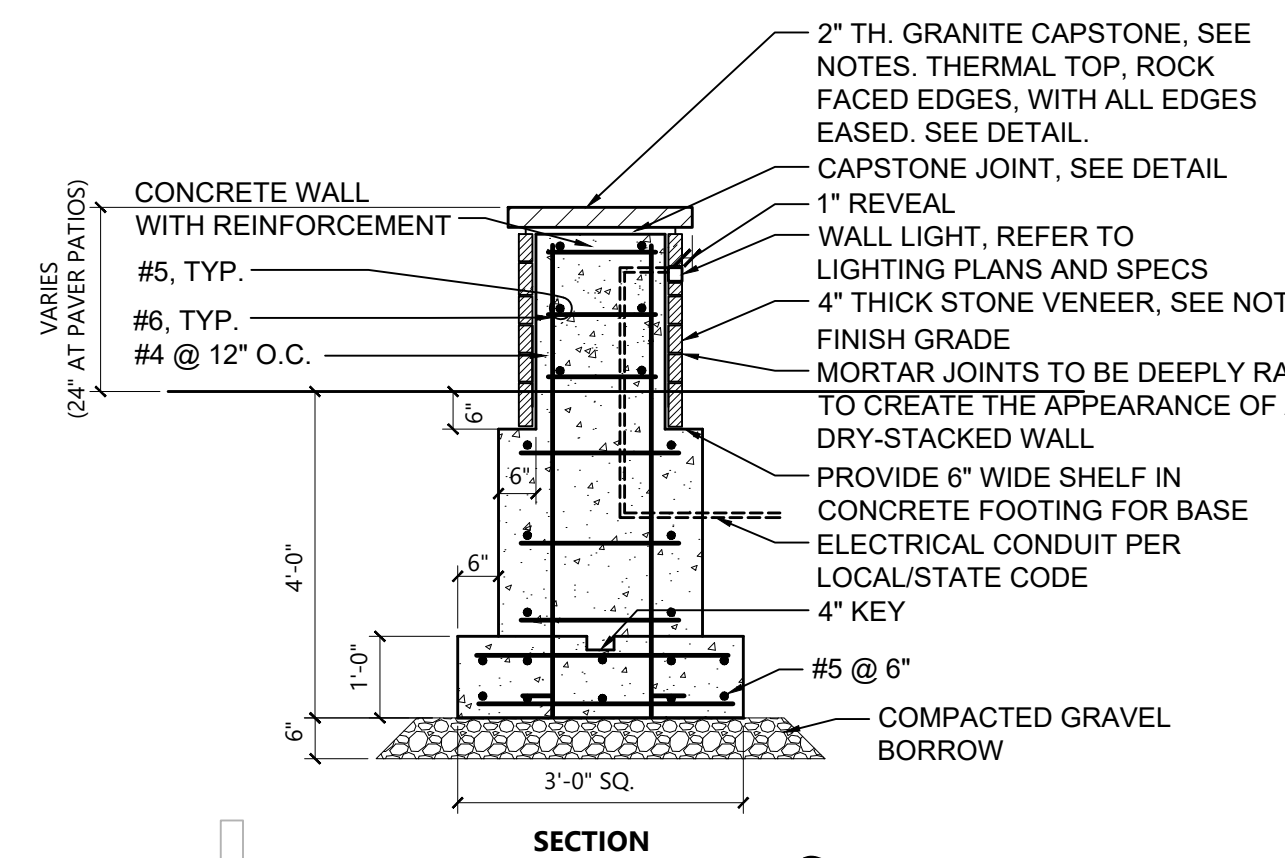
Capstone Joint

N.T.S.

Source: VHB

10/24

LD_



NOTE

- CONTRACTOR SHALL SUBMIT FULLY COORDINATED SHOP DRAWINGS FOR ALL ELEMENTS OF SEAT WALLS.
- VENEER STONE SHALL BE 'NEW ENGLAND BLEND' AS PROVIDED BY SANCOCUY STONE IN WORCESTER, OR APPROVED EQUAL.
- CAPSTONE SHALL BE 'BLUE MIST GRANITE' GRANITE, OR APPROVED EQUAL. SAMPLE SHALL BE PROVIDED TO THE CLIENT FOR REVIEW FOR APPROVAL.
- CORNER PIECES SHALL BE CUT FROM A SINGLE STONE AND WRAP THE VERTICAL EDGE.

Stone Veneer Wall

N.T.S.

11/17

LD_

125 Northeast Cutoff
125 Northeast Cutoff
Worcester, MA

No.	Revision	Date	Appr.


Designed by: _____ Checked by: _____
Issued for: _____ Date: _____

Local Approvals Jan. 15, 2025

Not for Construction

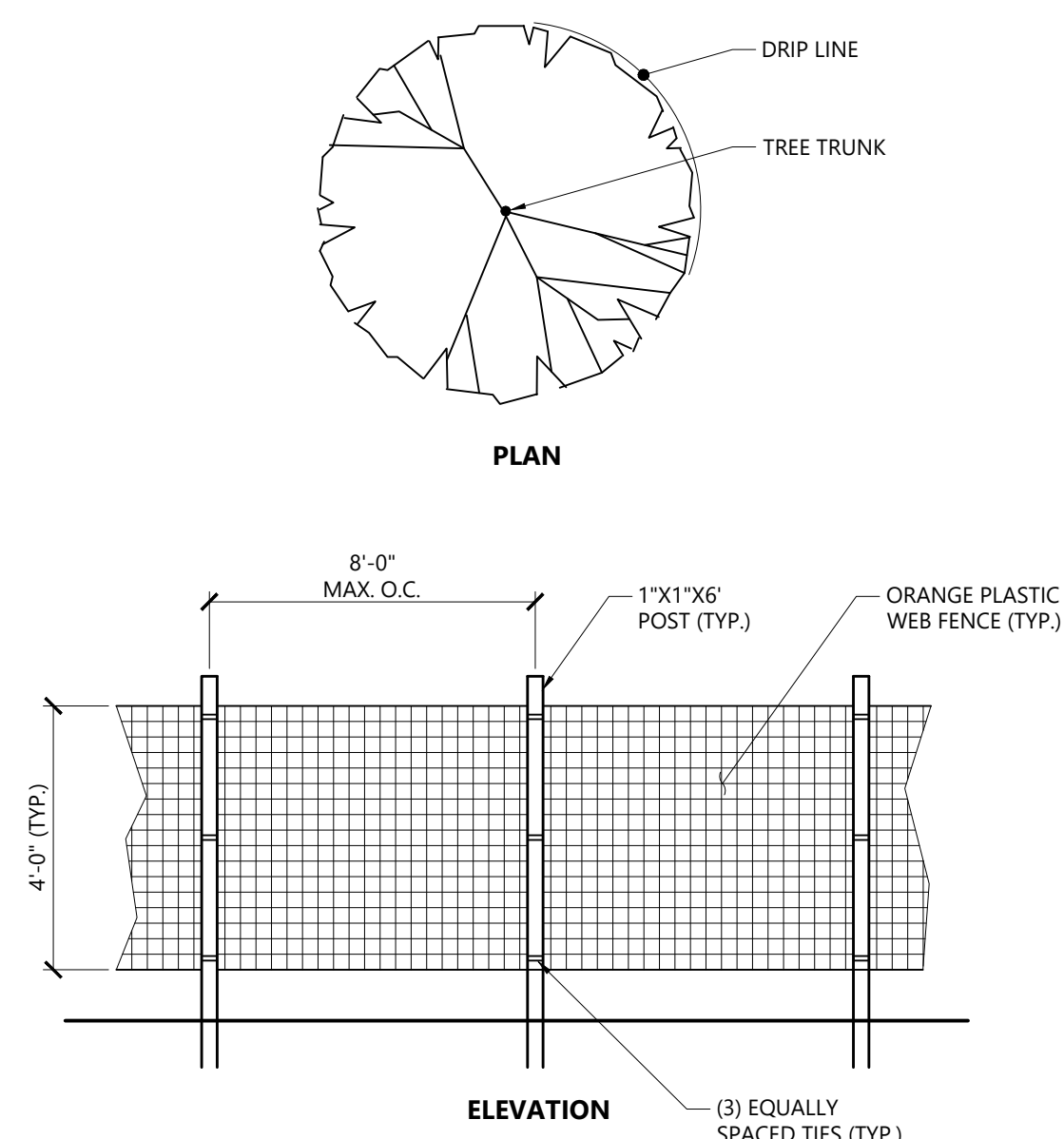
Drawing Title
Landscape Site Details

Drawing Number



L-3

Sheet 3 of 4
1/7/2025

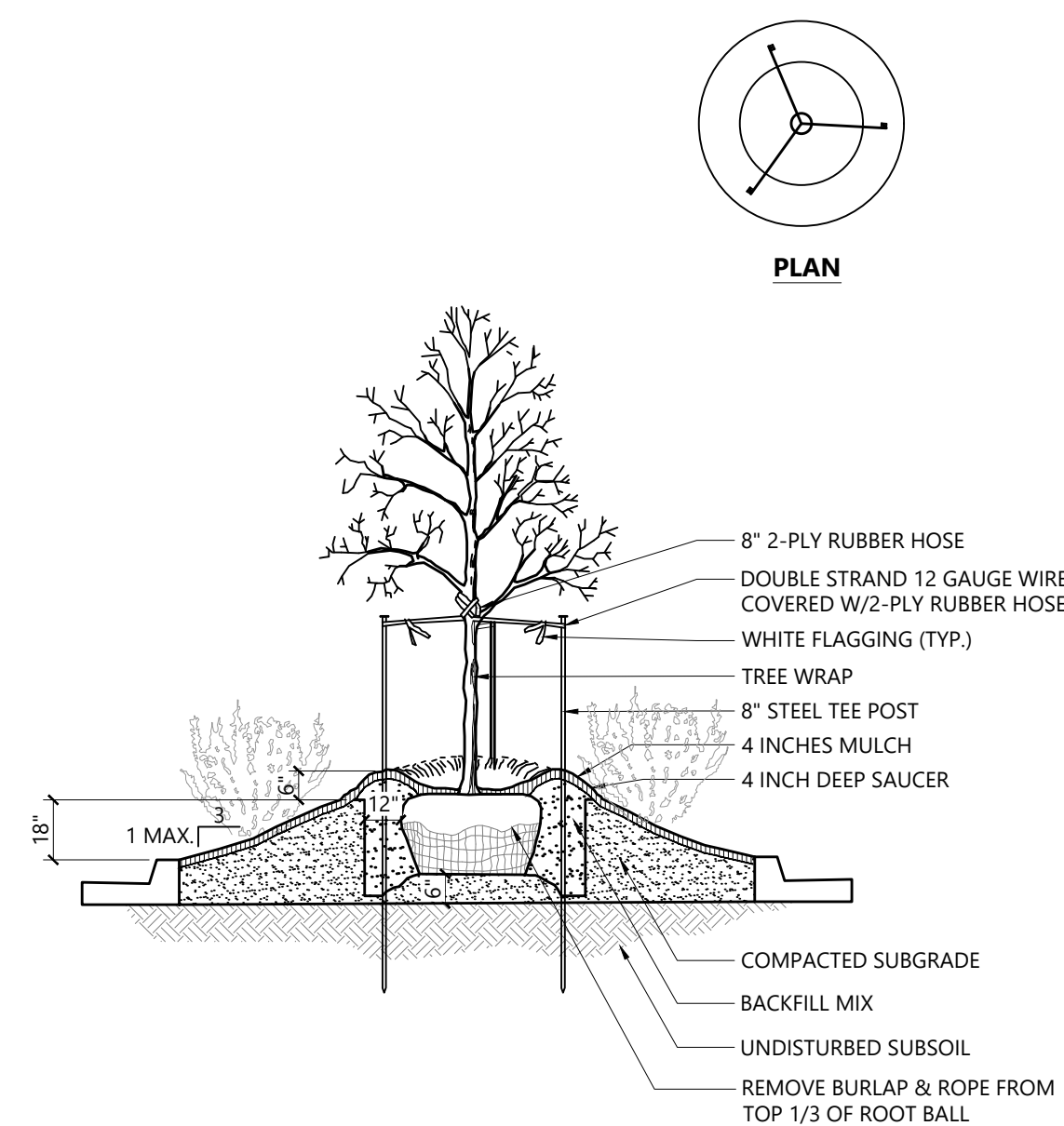


NOTES

1. INSTALL TREE PROTECTION FENCE AT THE DRIP LINE OF EXISTING TREES TO REMAIN.

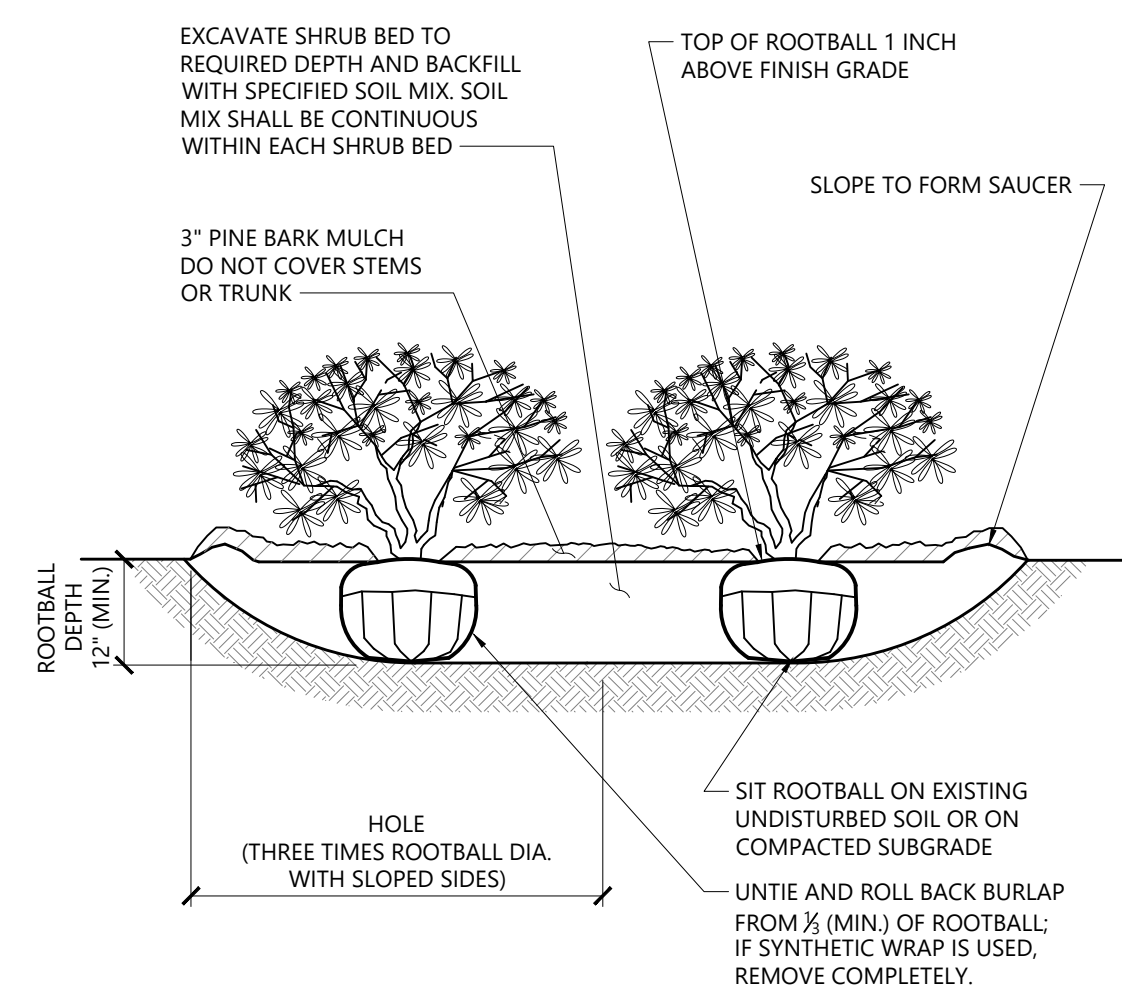
Tree Protection Fence

N.T.S. Source: VHB 1/16 LD_610



Landscape Berm

N.T.S. Source: VHB 10/24 LD_

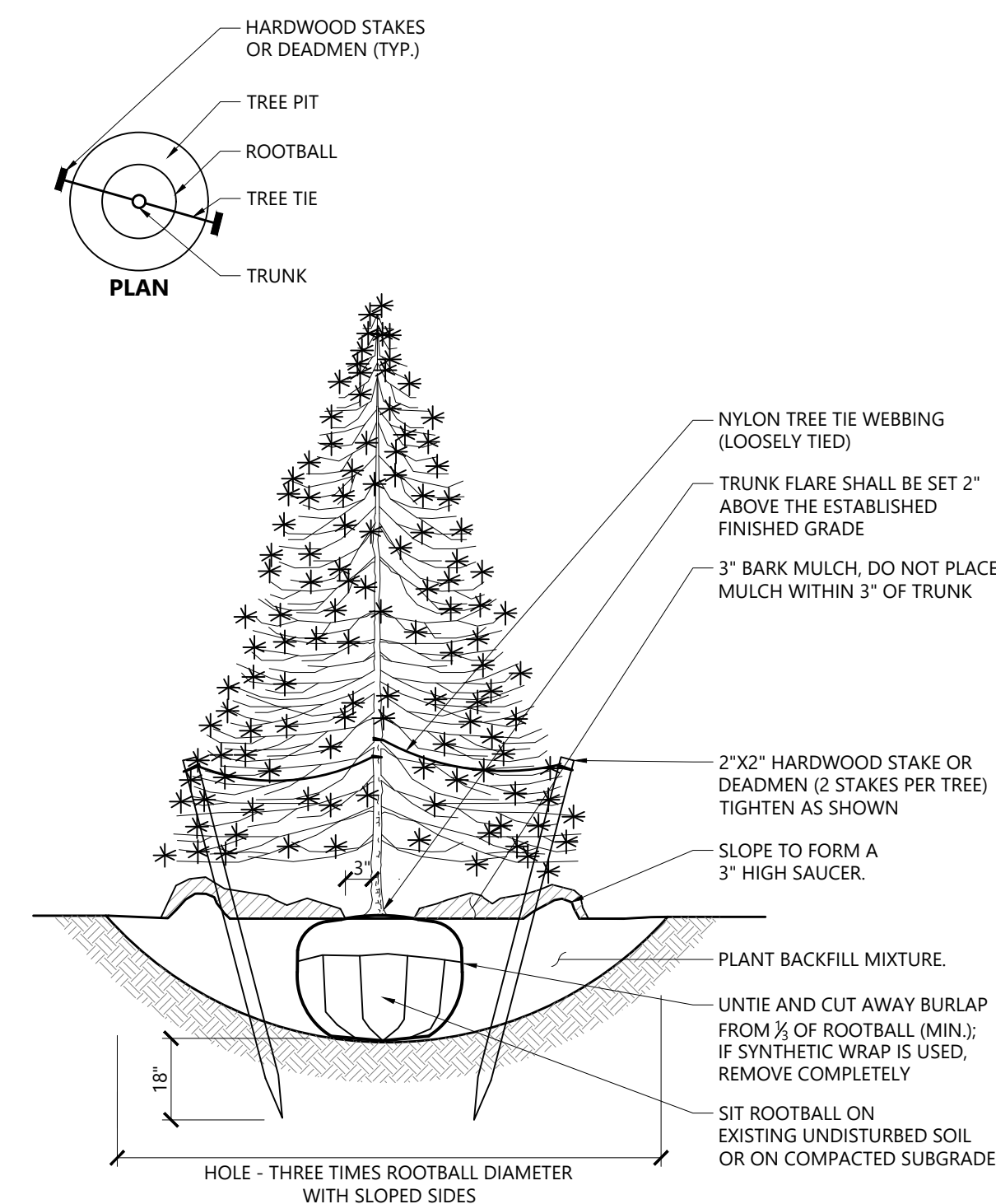


NOTES

1. LOOSEN ROOTS AT THE OUTER EDGE OF ROOTBALL OF CONTAINER GROWN SHRUBS.

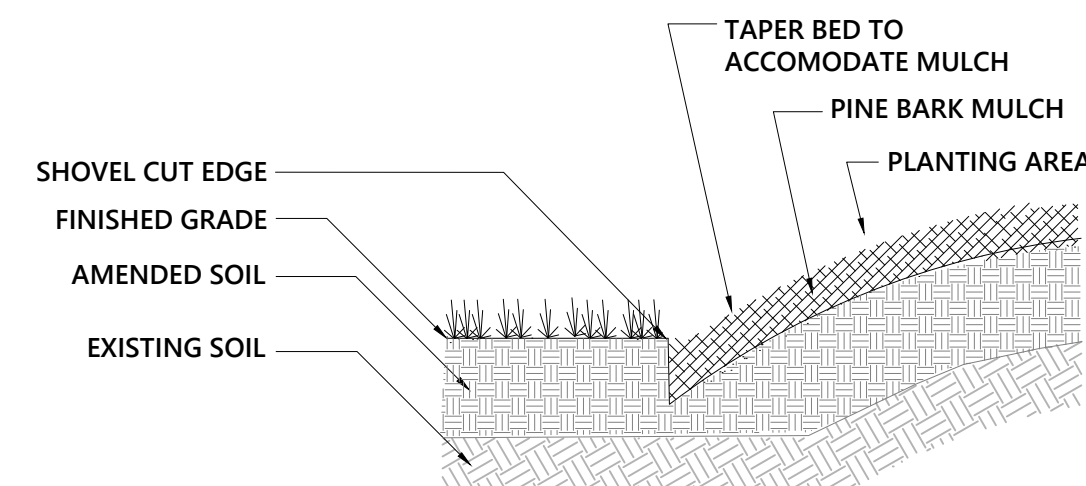
Shrub Bed Planting

N.T.S. Source: VHB 1/16 LD_601



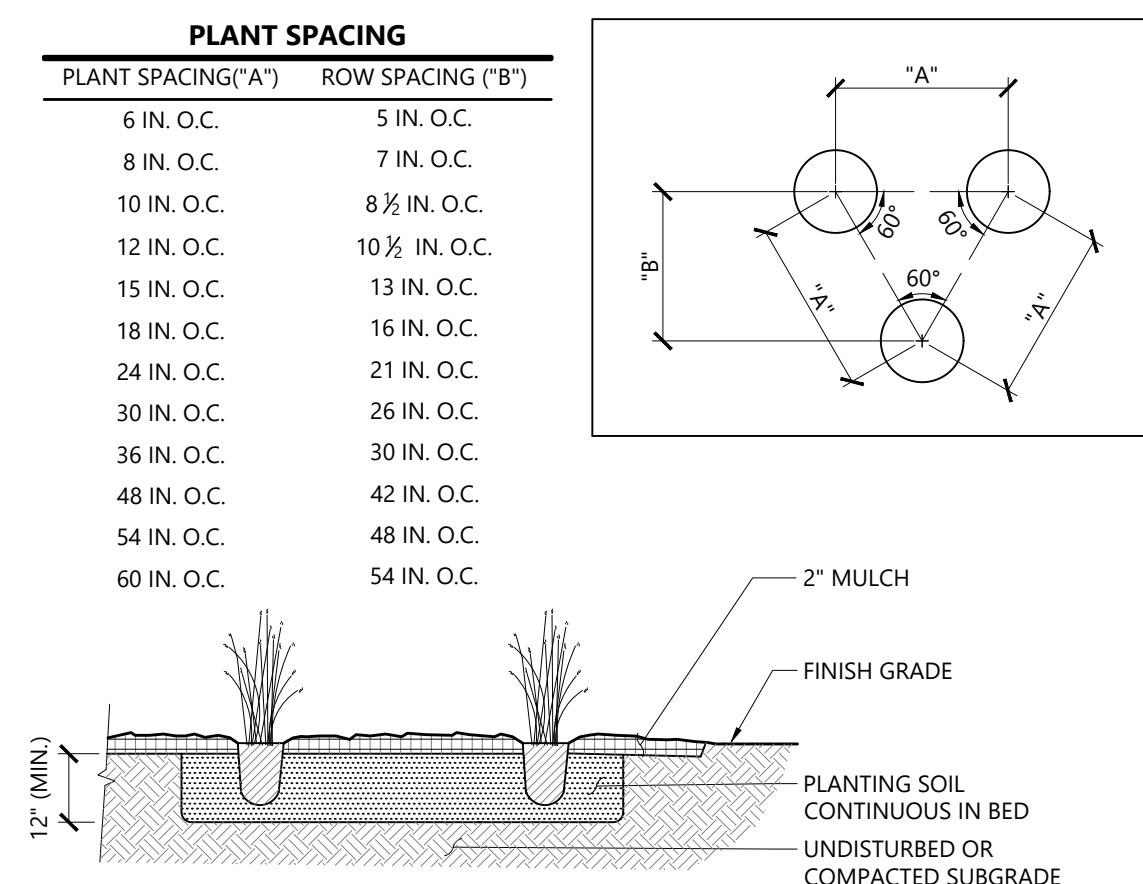
Evergreen Tree Planting

N.T.S. Source: VHB 9/21 LD_604



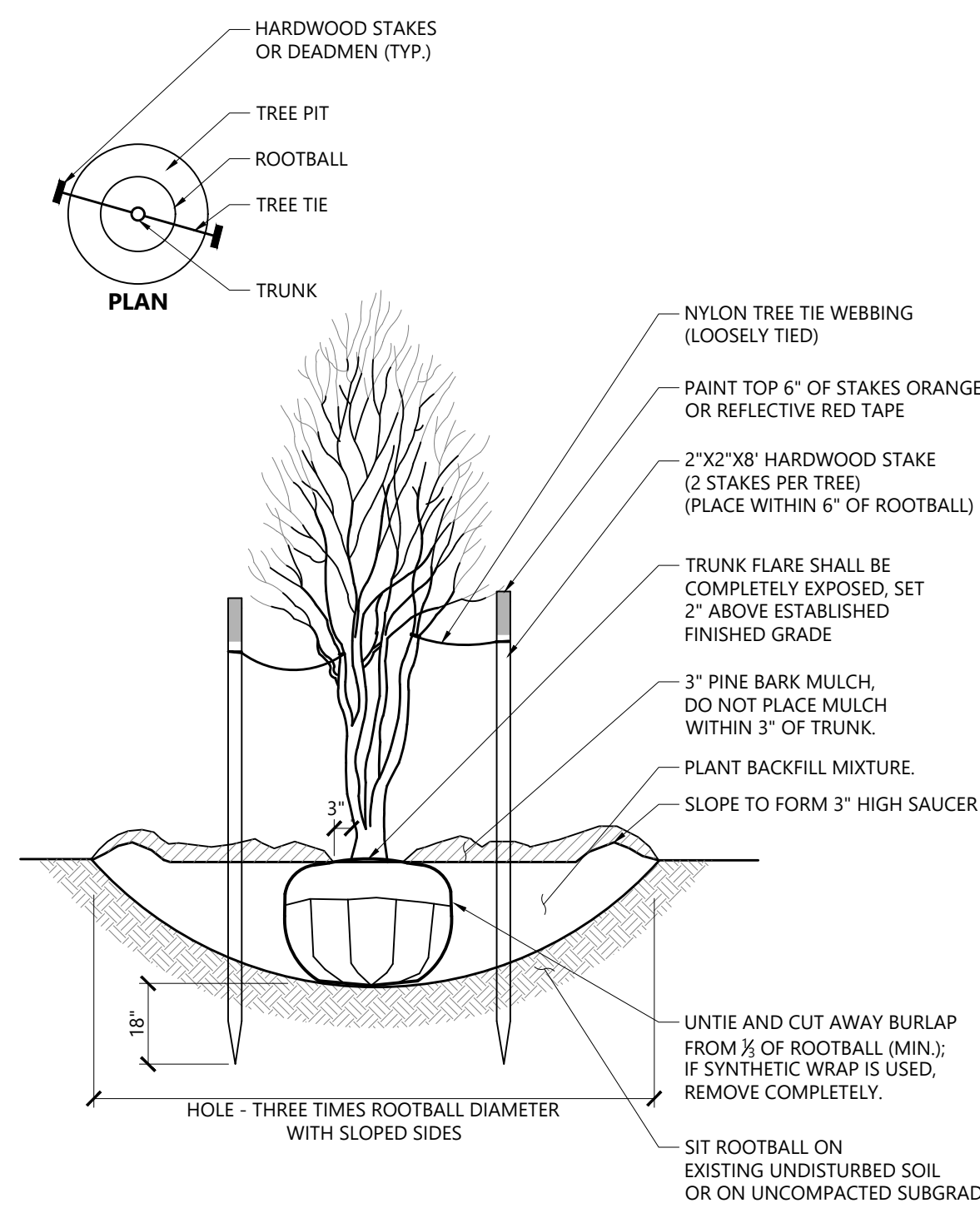
Shovel Cut Edging

N.T.S. Source: VHB 9/23 LD_620



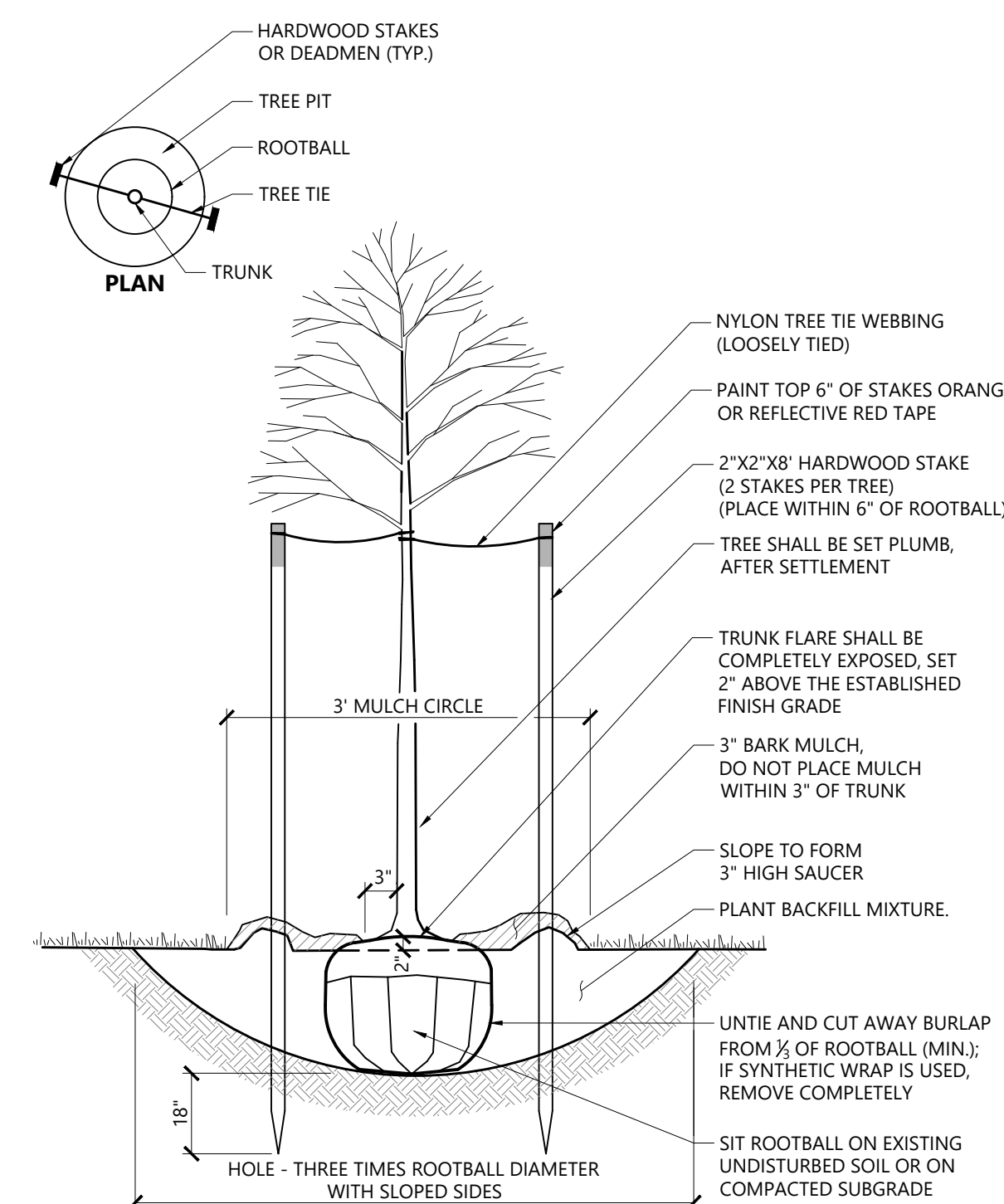
Perennial and Ornamental Grass Planting

N.T.S. Source: VHB 1/16 LD_618



Multistem Tree Planting

N.T.S. Source: VHB 9/21 LD_606



Tree Planting (For Trees Under 4" Caliper)

N.T.S. Source: VHB 9/21 LD_602

**125 Northeast Cutoff
125 Northeast Cutoff
Worcester, MA**

No.	Revision	Date	App'd.

Designed by: _____ Checked by: _____
Issued for: _____ Date: _____
Local Approvals Jan. 15, 2025

Not for Construction
Drawing Title
Planting Details
Drawing Number



L-4

Sheet 4 of 4